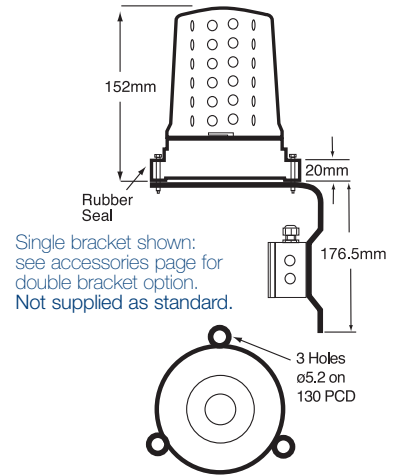


Visual Signals OBSTACLE MARKING

BEACONS



Obstacle Marking : Low Intensity Lights > Product overview

The LED501/500 Series conforms to the requirements of the ICAO for aviation obstruction marking. Each beacon contains six diode strips each with eight, horizontally aligned LED's

thus exceeding the minimum requirements of the ICAO of 10 cd explicit without dazzling. With robust, corrosion-free construction and rubber housing for vibration protection, the LED501/500 series is ideal for most low intensity applications.

Features

Conforms to ICAO Annexe 14 Volume 1 for steady, red, low intensity Type C beacons

Static red (non-flashing) signal

LED long life

Corrosion free

Optional single or double mounting bracket – see accessory page

IP65

Material

Elastic TPF (Solid Rubber)
Polycarbonate Lens



| Code No: | Voltage: | Light Source: | Current: | Effective CD: |
|-----------------|--|----------------|----------|---------------|
| LED501-02-10-02 | 24v Dc --- | LED 10w/50-60J | 800 mA | 10cd |
| LED500-04-10-02 | 230v Ac ~ | LED 10w/50-60J | 70 mA | 10cd |
| 50004 | Right angled bracket for single beacon | | | |
| 50159 | Right angled bracket for single beacon complete with cable box | | | |
| 50160 | Double bracket with twin mount complete with cable box | | | |

Kg 0.45

°C -20+50

IP 65

OBSTACLE MARKING

Visual Signals OBSTACLE MARKING

BEACONS

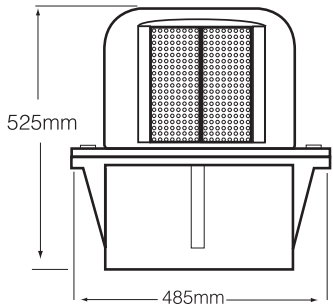


Obstacle Marking : Medium Intensity Lights 2000cd >

Product overview

The LED 2000 Series conforms to the requirements of the ICAO for aviation obstruction marking. Designed for use on tall buildings, masts and pylons making it ideal for remote or inaccessible locations. The

LED pentagon shaped tower, incorporating 800 high power LEDs, allows for a perfect 360° beacon which can be visible over 15 miles in optimum weather conditions. 3 meters of 1.5 SY steel braided cable is supplied attached to the beacon assembly making entry to the beacon unnecessary.



Features

- Conforms to ICAO regulation Annex 14 Volume 1 for steady, medium intensity Type C beacons
- IP67
- Low maintenance
- Long life
- 360° visibility

Material

- Cast Aluminium
- UV Stable Polycarbonate Lens

| Code No: | Voltage: | Light Source: | Effective CD: |
|----------------|-----------|---------------|---------------|
| LED-04-2000-02 | 230v Ac ~ | LED output | 2000cd |



Kg 19
°C -40+55
Hz 50/60
IP 67
OBSTACLE MARKING
MARINE