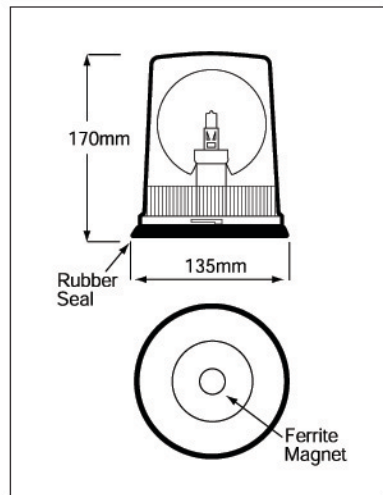




ROTATING MB

Code No:	Voltage:	Light Source:	Current:
R88-34	12v Dc ---	H1 x 55w	4.70 A
R88-38	24v Dc ---	H1 x 70w	3.00 A



01

02

03

04

05

• r.p.m. 160±30

C -25+40

IP 65

Kg 1.11