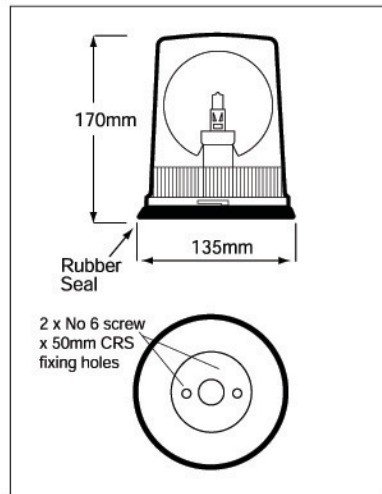




## ROTATING SF

Code No:	Voltage:	Light Source:	Current:
R88-37	12v Dc ---	H1 x 55w	4.70 A
R88-39	24v Dc ---	H1 x 70w	3.00 A



01

02

03

04

05

•  $\odot$  r.p.m. 160 $\pm$ 30

$\text{C}$  -25+40

IP 65

Kg 0.67