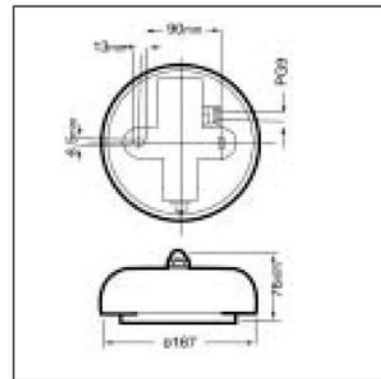




## IP66 BELL - 6"

Code No:	Voltage:	Current:
A6B-12DC-IP66	12v DC ---	0.06 A
A6B-24DC-IP66	24v DC ---	0.03 A
A6B-115AC-IP66	115v AC ~	0.90 A
A6B-230AC-IP66	230v AC ~	0.50 A



 **dB** 100

 **°C** -30+50

 **CONTINUOUS**

**IP** 66

**Kg** 1.0