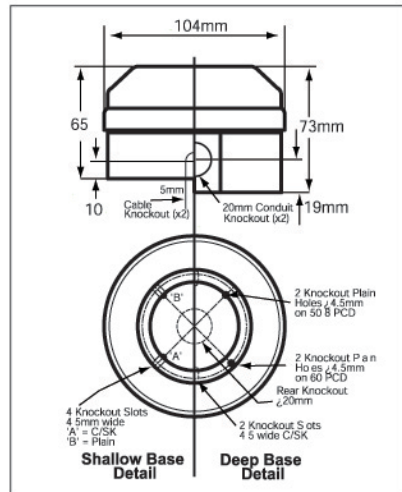


XENON BEACONS

Code No:	Voltage:	Light Source:	Current:
X195-02WH-SB	15-28v Ac/Dc	5J	310 mA
X195-02WH	15-28v Ac/Dc	5J	310 mA
X195-05WH-SB	180-250v Ac ~	5J	110 mA
X195-05WH	180-250v Ac ~	5J	110 mA



01

02

03

04

05



f.p.m. 60



C -25+45

IP 65



50 Hz



Fire

Kg 0.25