

# MA121 Marine Grade IP67 Alarm Sounder unit



- Maximum output : 126dB(A) @ 1metre  
Nominal output : 121dB(A) @ 1m +/-3dB, Tone 2
- 45 alarm tones (UKOOAPFEER compliant)
- 3 stage alarm option
- Volume control
- Automatic synchronisation on multi-sounder systems
- 350m effective range @ 1kHz
- Voltages : 24vdc(10-30vdc); 48vdc(35-60vdc); 24vac; 115vac; 230vac
- Other voltages available upon request.
- DC versions may be used on 24vac +/-10% for single stage applications.
- Positive stage switching DC version available.
- Optional reverse polarity switching on DC units
- Fully programmable version with 4 stages available.
- Third party tested to IP67 & IP66
- Enclosure material : UL94V0 & 5VA rated FR ABS
- Colour available : Grey (RAL7038)
- Operating temperature : -25 to +55°C
- Storage temperature : -40 to +70°C
- Relative humidity : 90% at 20°C
- Weight : DC: 2.50Kg AC: 3.00Kg

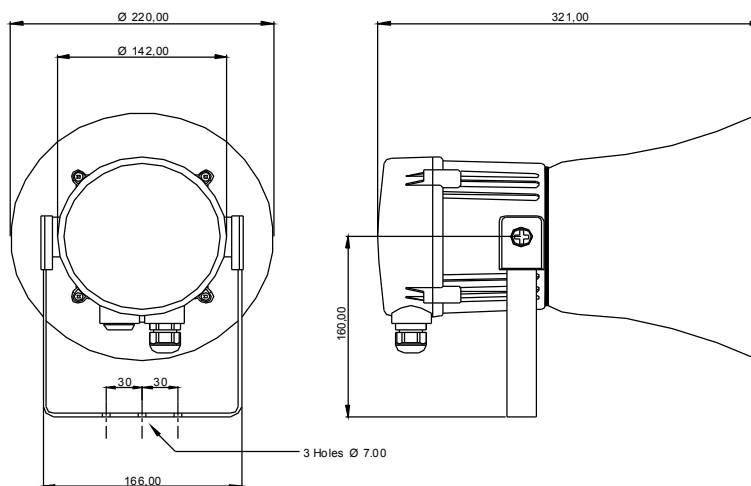


A heavy duty high output IP67 sealed sounder, ideal for harsh environments with high ambient noise levels.

- Large termination area
- 2 x M20 ISO cable gland entries (with 1 blanking plug).
- Ratchet adjustable stainless steel 'U' bracket for 360° positioning.
- All units offer IN & OUT terminals
- Terminals accept 0.5 to 4.0mm<sup>2</sup> cables.

Input voltages and current consumption for the MA121 sounder.

Voltage :	24vdc	48vdc	115vac	230vac	24vac
			50/60Hz	50/60Hz	50/60Hz
Voltage range :	10-30vdc	35-60vdc	+/-10%	+/-10%	+/-10%
Current mA :	950mA	600mA	150mA	90mA	1000mA



All dimensions are in millimetres.

Also available :

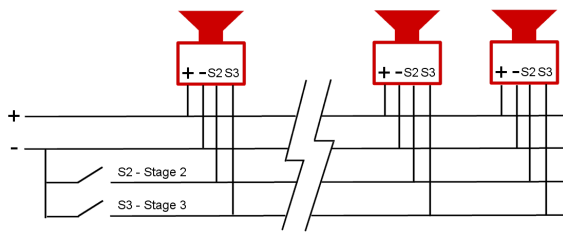
- **MCA112-05** combined sounder & beacon
- **ML15** 15w & **ML25** 25w marine loudspeaker
- **MA112** high output marine sounder
- **MB005** & **MB010** 5 and 10 Joule marine beacons
- **MV112** high output marine voice annunciation unit



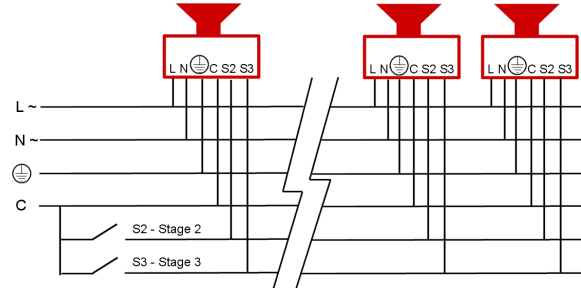
Stage 1	Frequency Description	dB @ 1m		Stage 2	Stage 3
Tone 1	340 Hz Continuous	113dB(A) @ 1m		Tone 2	Tone 5
Tone 2	800/1000Hz @ 0.25 sec Alternating	121dB(A) @ 1m		Tone 17	Tone 5
Tone 3	500/1200Hz @ 0.3Hz 0.5 sec Slow Whoop	121dB(A) @ 1m		Tone 2	Tone 5
Tone 4	800/1000Hz @ 1Hz Sweeping	121dB(A) @ 1m		Tone 6	Tone 5
Tone 5	2400Hz Continuous	125dB(A) @ 1m		Tone 3	Tone 20
Tone 6	2400/2900Hz @ 7Hz Sweeping	123dB(A) @ 1m		Tone 7	Tone 5
Tone 7	2400/2900Hz @ 1Hz Sweeping	125dB(A) @ 1m		Tone 10	Tone 5
Tone 8	500/1200/500Hz @ 0.3Hz Sweeping	121dB(A) @ 1m		Tone 2	Tone 5
Tone 9	1200/500Hz @ 1Hz - DIN / PFEER P.T.A.P.	121dB(A) @ 1m		Tone 15	Tone 2
Tone 10	2400/2900Hz @ 2Hz Alternating	126dB(A) @ 1m		Tone 7	Tone 5
Tone 11	1000Hz @ 1Hz Intermittent	121dB(A) @ 1m		Tone 2	Tone 5
Tone 12	800/1000Hz @ 0.875Hz Alternating	121dB(A) @ 1m		Tone 4	Tone 5
Tone 13	2400Hz @ 1Hz Intermittent	125dB(A) @ 1m		Tone 15	Tone 5
Tone 14	800Hz 0.25sec on, 1 sec off Intermittent	120dB(A) @ 1m		Tone 4	Tone 5
Tone 15	800Hz Continuous	120dB(A) @ 1m		Tone 2	Tone 5
Tone 16	660Hz 150mS on, 150mS off Intermittent	118dB(A) @ 1m		Tone 18	Tone 5
Tone 17	544Hz (100mS)/440Hz (400mS) - NF S 32-001	117dB(A) @ 1m		Tone 2	Tone 27
Tone 18	660Hz 1.8sec on, 1.8sec off Intermittent	118dB(A) @ 1m		Tone 2	Tone 5
Tone 19	1.4KHz-1.6KHz 1s, 1.6KHz-1.4KHz 0.5s -NFC48-265	126dB(A) @ 1m		Tone 2	Tone 5
Tone 20	660Hz Continuous	118dB(A) @ 1m		Tone 2	Tone 5
Tone 21	554Hz/440Hz @ 1Hz Alternating	118dB(A) @ 1m		Tone 2	Tone 5
Tone 22	544Hz @ 0.875 sec. Intermittent	118dB(A) @ 1m		Tone 2	Tone 5
Tone 23	800Hz @ 2Hz Intermittent	120dB(A) @ 1m		Tone 6	Tone 5
Tone 24	800/1000Hz @ 50Hz Sweeping	120dB(A) @ 1m		Tone 29	Tone 5
Tone 25	2400/2900Hz @ 50Hz Sweeping	124dB(A) @ 1m		Tone 29	Tone 5
Tone 26	Bell	118dB(A) @ 1m		Tone 2	Tone 15
Tone 27	554Hz Continuous	117dB(A) @ 1m		Tone 26	Tone 5
Tone 28	440Hz Continuous	117dB(A) @ 1m		Tone 2	Tone 5
Tone 29	800/1000Hz @ 7Hz Sweeping	121dB(A) @ 1m		Tone 7	Tone 5
Tone 30	300Hz Continuous	114dB(A) @ 1m		Tone 2	Tone 5
Tone 31	660/1200Hz @ 1Hz Sweeping	121dB(A) @ 1m		Tone 26	Tone 5
Tone 32	Two tone chime.	118dB(A) @ 1m		Tone 26	Tone 15
Tone 33	745Hz @ 1Hz Intermittent	116dB(A) @ 1m		Tone 2	Tone 5
Tone 34	1000 & 2000Hz @ 0.5 sec Alternating - Singapore	121dB(A) @ 1m		Tone 38	Tone 45
Tone 35	420Hz @ 0.625 sec Australian Alert	118dB(A) @ 1m		Tone 36	Tone 5
Tone 36	500-1200Hz 3.75sec /0.25sec. Australian Evac.	121dB(A) @ 1m		Tone 35	Tone 5
Tone 37	1000Hz Continuous - PFEER Toxic Gas	121dB(A) @ 1m		Tone 9	Tone 45
Tone 38	2000Hz Continuous	122dB(A) @ 1m		Tone 34	Tone 45
Tone 39	800Hz 0.25sec on, 1 sec off Intermittent	120dB(A) @ 1m		Tone 23	Tone 17
Tone 40	544Hz (100mS)/440Hz (400mS) - NF S 32-001	121dB(A) @ 1m		Tone 31	Tone 27
Tone 41	Motor Siren - slow rise to 1200 Hz	122dB(A) @ 1m		Tone 2	Tone 5
Tone 42	Motor Siren - slow rise to 800 Hz	121dB(A) @ 1m		Tone 2	Tone 5
Tone 43	1200 Hz Continuous	122dB(A) @ 1m		Tone 2	Tone 5
Tone 44	Motor Siren - slow rise to 2400 Hz	124dB(A) @ 1m		Tone 2	Tone 5
Tone 45	1KHz 1s on, 1s off Intermittent - PFEER Gen. Alarm	121dB(A) @ 1m		Tone 38	Tone 34

Note: SPL readings are at nominal voltage, typically +/-3dB and are for indication purposes only. Where applicable, reduce outputs by 5dB when a 10-30vdc unit is supplied 12vdc.

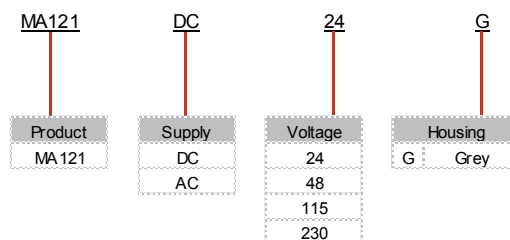
DC unit wiring configuration.



AC unit wiring configuration.



Ordering code :



TSP3601-C