

FLASHING FILAMENT MB

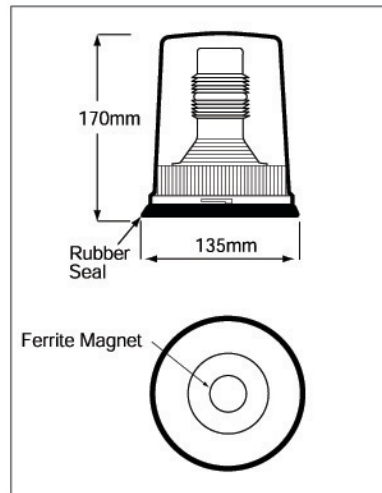


Code No: **Voltage:** **Light Source:** **Current:**

FF98-34 12v Dc --- Ba15d x 21w 1.75 A

FF98-38 24v Dc --- Ba15d x 21w 0.88 A

Conforms to civil aviation authority **ⓈCAP 1680**
requirements for vehicle warning lights when fitted
with an amber lens.



01

02

03

04

05



f.p.m. 60



C -25+40

IP 65

Kg 1.00