

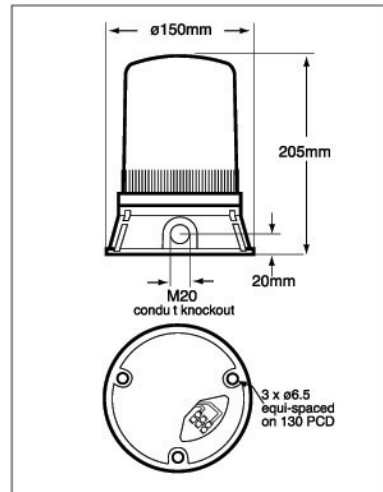
LED BEACONS FLASHING, ROTATING OR STATIC



Code No: Voltage: Light Source: Current:
Flash / Rot / Static

LED401-02 24v Dc --- 144-Led Array 0.05 0.10# 0.50 A
LED400-04 ¥115/230v Ac ~ 144-Led Array 0.07 0.03# 0.07 A

¥Preset to 230v Ac # 2 bar Rotating



01 02 03 04 05

f.p.m. 60

C -20+45

IP 65

50/60 Hz

r.p.m. 120

Kg 1.0Ac 0.6Dc