

Sonos Sounder (DC)



Features

- Simple 'First Fix' installation (no second fix wiring)
- Smooth flow cabling for faster installation
- Quick connect/disconnect
- No locking screw required
- Tone and volume can be preset or adjusted off-base
- Weatherproof to IP65 (deep base units)
- Synchronised alarm tones

Overview

A general purpose electronic sounder for fire, security and industrial applications; the Sonos Sounder is certified to EN54.

With the TimeSaver base, connections are made to the base during the initial wiring phase which results in faster and more reliable installation. The sounder head 'twists and clicks' into the base on commissioning, avoiding the wiring and connection problems associated with traditional sounders.

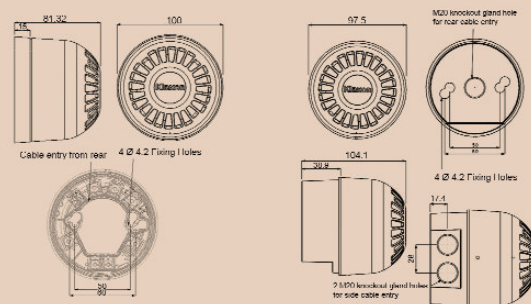
With a choice of 32 tones including all the major international standards, the Sonos Sounder has universal acceptance.

Deep base units have weatherproof protection to IP65 and can be used in all locations both indoors and outdoors.

Sonos Sounder units are available in either red or white and with a choice of deep or shallow TimeSaver base. Other colours are available depending on quantity.

Applications

- Fire; security; industrial alarm



Shallow Base

Deep Base

- Fire
- Security
- Industrial
- Railway/Marine
- Hazardous Area
- Public Warning

Part No.	Colours	Audibility at 1m (tone dependent)	Tones	Voltage*	Current (tone dependent)
18-980450 (shallow base)	Red	Up to 106dB (A)	32	9-60V DC	6-35mA
18-980475 (shallow base)	White	Up to 106dB (A)	32	9-60V DC	6-35mA
18-980451 (deep base)	Red	Up to 106dB (A)	32	9-60V DC	6-35mA
18-980476 (deep base)	White	Up to 106dB (A)	32	9-60V DC	6-35mA

*EN54 compliant at 17-60V

Other colours/combinations are available on request

IP Rating: IP65 **Rating:** Continuous **Frequency:** 400-2850Hz **Operating Temp:** -25°C to +70°C

Construction: Flame Retardant Polycarbonate **Cable Entries:** DB: 2 x 20mm cable glands

Weight: 250g (deep base) 215g (shallow base) **Compliance:** EN54 3 A (deep base) EN54 3 B (shallow base)

Sonos Sounder (AC)



Features

- Dual Voltage 110V AC or 230V AC
- Smooth flow cabling for faster installation
- Up to 106 dB (A) @ 1 metre
- No locking screw required
- Weatherproof to IP65 (deep base units)
- Synchronised alarm tones

Overview

A general purpose AC electronic sounder for fire, security and industrial applications.

With a choice of 32 tones including all the major European standards, Sonos is suitable for use across Europe.

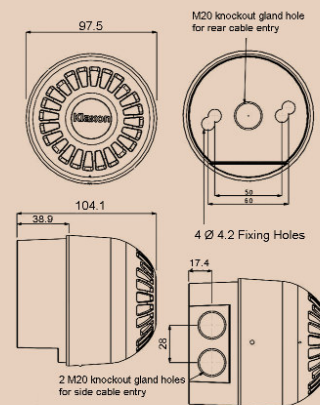
Sonos AC sounders are weatherproof to IP65 and can be used in all locations both indoors and outdoors.

Sonos sounder units are available in either red or white. Other colours are available depending on quantity.

- Fire
- Railway/Marine
- Security
- Hazardous Area
- Industrial
- Public Warning

Applications

- Fire; security; industrial alarm



Part No.	Colours	Audibility at 1m (tone dependent)	Tones	Voltage	Current (tone dependent)
18-980480 (deep base)	Red	Up to 106dB (A)	32	110/230V AC	50mA
18-980481 (deep base)	White	Up to 106dB (A)	32	110/230V AC	50mA

IP Rating: IP65 **Rating:** Continuous **Frequency:** 400-2850Hz **Operating Temp:** -25°C to +55°C
Construction: Flame Retardant Polycarbonate **Cable Entries:** 2 x 20mm cable glands **Weight:** 250g
Compliance: EN60950